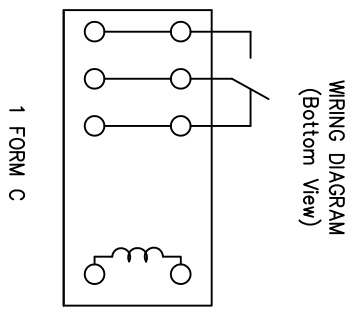
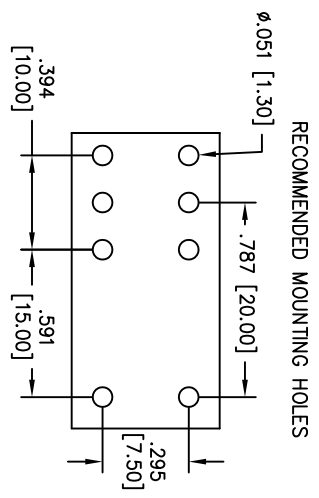
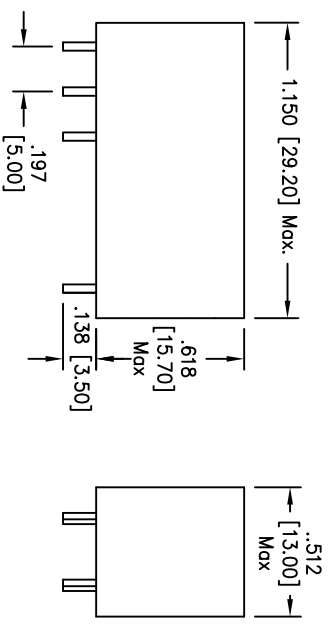


Rev	AWO #	Description	Date	Appr
-		RELEASED	2/09/10	

APPROVED: _____ TITLE: _____
 DATE: _____



SPECIFICATIONS:

Electrical:

Contact arrangement: SPDT (1FormC)
 Contact material: Silver Alloy
 Contact Rating (Resistive load): 16A 250VAC
 Switching Voltage: 440V AC Max.
 Contact resistance: 100 mΩ max. @ 1A 6VDC
 Insulation resistance: 1000 MΩ min. @ 500V DC
 Dielectric Strength:
 Between open contact: 1000VAC (50Hz/min)
 Between Coil & Contact: 5000VAC (50Hz/min)
 Operating time: 15ms max. Release time: 8ms max.
 Electrical Life: 100,000

Mechanical:

Vibration resistance (Endurance): 10g/5g, 10-150Hz
 Mechanical Life: 10,000,000
 Temperature Rating: Ambient temperature: -40°C to +85°C

Environmental:

Lead free, RoHS compliant
 Recommended soldering temp: 235°C for 5 sec.
 Packaging: Anti-ESD plastic trays
 Safety Agency Approvals: cUL Recognized File No. E305638

PART NO.	RPC-1C-5-S-G
Rated Voltage (V DC)	5VDC
Power consumption (W)	0.41W
Maximum voltage	150 Max.
Must Drop-out Voltage	10 Min.
Must Operate Voltage	70 Max.
Coil Resistance	62Ω



UNLESS OTHERWISE SPECIFIED ALL DIMENSIONS ARE INCHES [MM]	
TOLERANCES: EXCEPT AS NOTED	
INCHES	HOLES
.X ± .10	ØX ± .10
.XX ± .020	ØXXX ± .015
.XXX ± .015	ØXXXX ± .010
APPROVALS	DATE
DRAWN	DY
CHECKED	
APPROVED	

ADAM TECH
 909 Rahway Avenue, Union, NJ 07083
 Phone: 908-687-5000 Fax: 908-687-5710

TITLE	SIZE	PART NO.	REV.
RELAY, 5VDC, GOLD PLATED, 1C SEALED, 5MM PITCH	X	RPC-1C-5-S-G	-
REF: S00027C	SCALE: NTS	SHEET 1 OF 1	